

SLIM Coffee Grinder

Energy-saving and consistent grinding
Patterned surface is antiskid





Energy-saving grinding

Diamond/Lines Patterns for tighter hand grip



Sharp Steel burr

5-axis CNC Process with high grinding efficiency



Convenient coarseness adjustment

Memorize the coarseness' adjustment easily Point to point



PORTABLE

Easy to carry With a cloth bag
Enjoy a cup of coffee at any time



Consistent grinding

Dual bearings / Concentric immobilization



Stainless steel burr with aluminium & Black walnut

SLIM's performance is basically
The same as Chestnuts G1's.

Max Capacity





Diamond/Lines Patterns
Energy-saving design



Nice gift box
With a cloth bag



Stainless steel bracket
Aluminium body



Steel burr cut by CNC



Point to point
Adjust coarseness



Dual bearing
Concentric
immobilization



Crank handle for Smooth and easy grinding

Crank design makes both hands parallel with each other





Extra Slim Body

Minimal body design with Dia. 45mm
Right hand grip



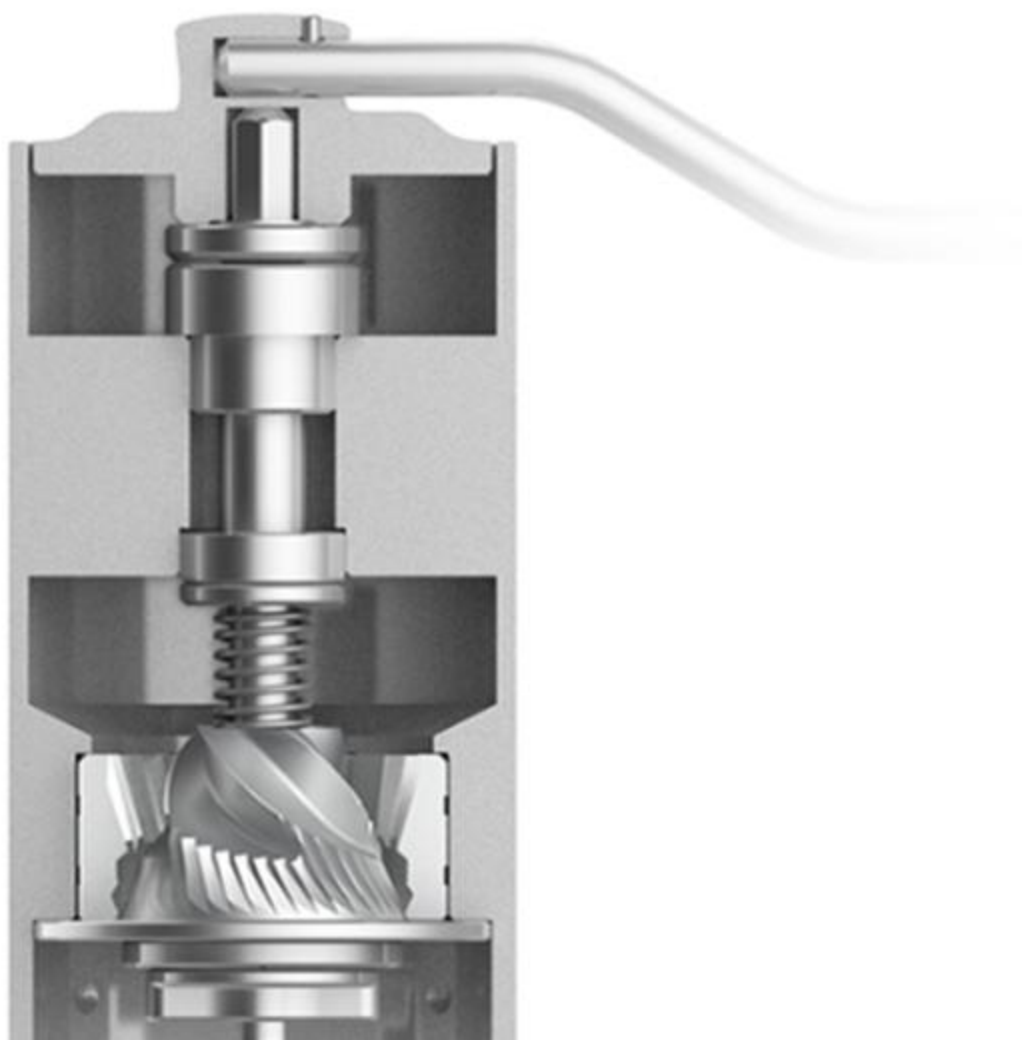
45
mm





Dual bearings to fasten the central axis

Two ball bearings fix the central axis to ensure the fluency and concentricity of the burr set. This is the key to consistent grinding.





Patented point to point coarseness scale

The steel ball damping structures make sure the adjustment point to point.
It allows the precise grinding adjustment.



Fine



Medium



Medium-coarse



Coarse



Five-axis CNC steel burr

Grind coffee beans extremely consistently & quickly.



Stainless steel Burr

Better for coarser grinding
Even grinding with less fines

Material: Stainless steel
Processing: 5-axis CNC cutting
Hardness: 620HV (can cut coffee beans fast and consistently)

Slim is better for coarser grinding like pour-over and syphon and with less fines. It also can be used for espresso but needs a little bit more time and energy. It won't get rusty even if you don't use for a long time.

Carbon Steel Burr

Better for finer grinding
52% more energy-saving than G1

Material: Carbon steel coated with Titanium
Processing: 5-axis CNC cutting
Hardness: 2300HV (high hardness, high accuracy and long durability)

Slims is better for finer grinding like espresso and Turkish. It saves more time and energy. But its fines are a little bit more than G1 when you do coarser grinding like pour-over and French press. It may get rusty in a wet place. Try to storage in a dry place.



Exquisite design & Skid-proof hand grip



Product Parameters

Name : TIMEMORE SLIM coffee grinder

Material : Stainless steel, Aluminum and Black walnut

Size : Body [160*42mm] Handle [155mm]

Capacity : max 20g

Origin : Shanghai

Exquisite gift box





Patterned surface with better hand grip and skid-proof